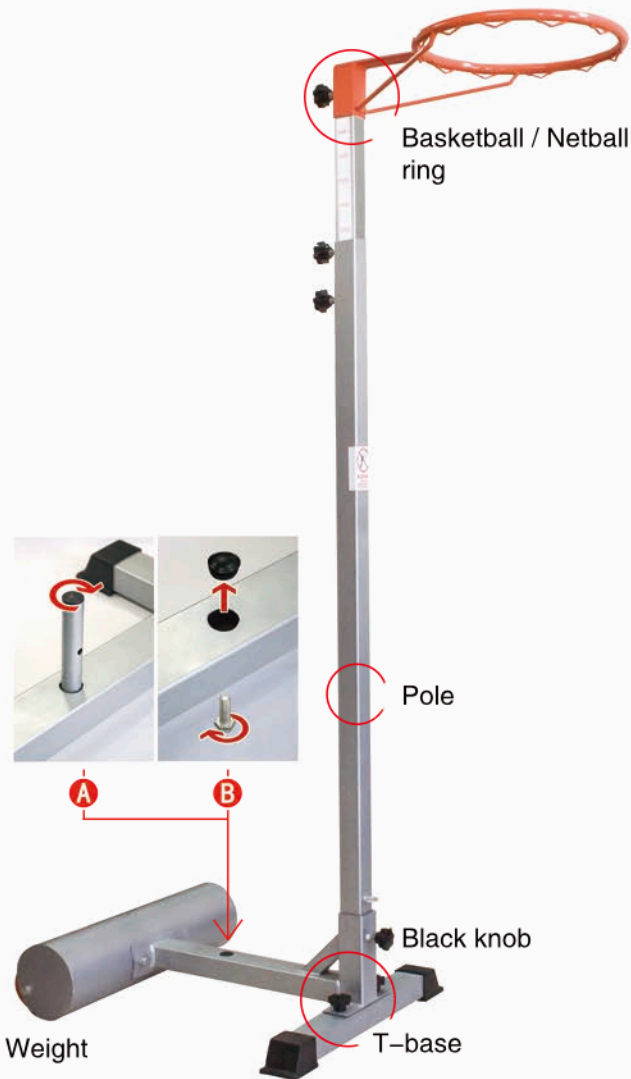
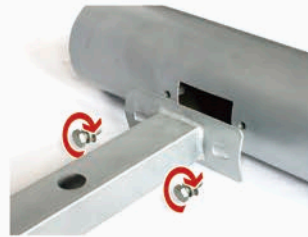


Portable Netball System with Weight Assembly Instructions

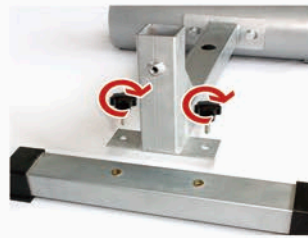
Part 1: Parts Introduction:



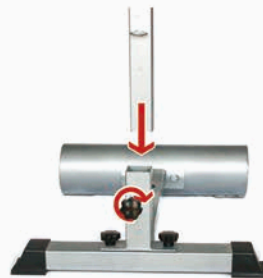
Part 2: Assemble Instruction:



① Connect the weight and T-Base with screws as the picture shows.



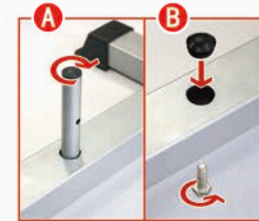
② Fix the T-Base with the black knobs like picture 2.



③ Insert the pole into the T-Base tube, and turn the black knob to fix the pole.



④ Fix the basketball ring on the top of pole, and fix the black knob like picture 4 shows.



⑤ The weight we provide is about 25kgs, if you think this weight is not enough for you to play, please take out the plastic plug like B shows.

Then you could screw in the round tube like A shows, and put the weight plates on this round tube.

⑥ How to assemble basketball net:



Insert the net into the ring hole like picture 1, then cross the net like picture 2. Repeat the operation one by one, until the whole net inserts into the ring hole, and finally, tie the knot to fix the net.

Part 3: Package Information

The whole stand was divided into 3 parts
Part 1: Pole was packed separately in one carton.
Part 2: T-Base basketball ring & net were packed in one carton.
Part 3: Weight was packed separately.
※ Manual was packed in T-base carton.
※ All parts were packed in pc, not pair.